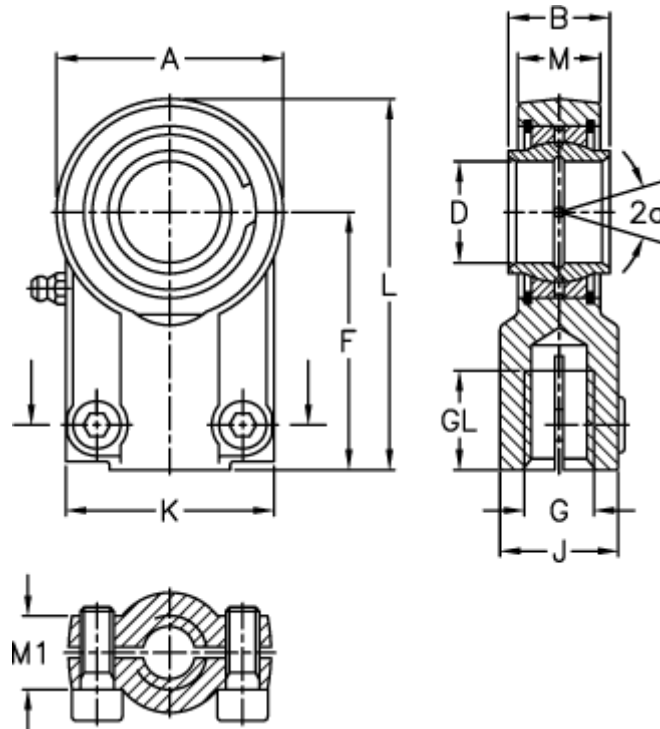


Article number: 03551070

Description: Fluro hydraulic rod end FPR 70CE

## Measures



A	= 155	J	= 80
a (degrees)	= 4	K	= 135
B	= 70	L	= 245
D	= 70	M	= 57
Dynamic load C (kN)	= 315	M1	= 42
F	= 160	Static load C0 (kN)	= 540
g	= M56x2	Torque (N m)	= 210
GL	= 81	Weight	= 10100